

# Q-LON POLYURETHANE FOAM SEALS: WINDOWS

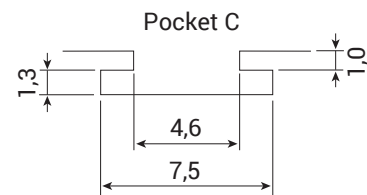
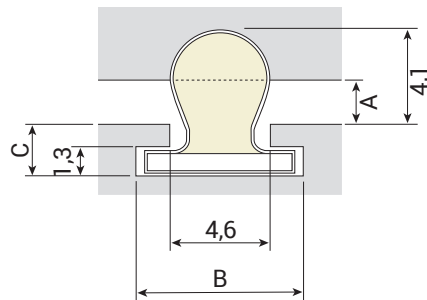
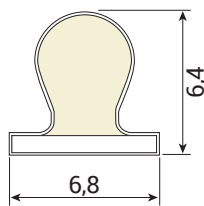
**QL 69650**  
**2Q714003**

## TECHNICAL SPECIFICATION

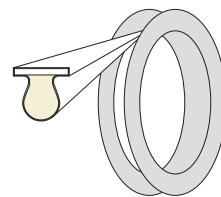
- A** Seal gap: 1,8 mm minimum to 3,4 mm maximum
- B** Retention slot throat: 4,6 mm nominal
- C** Minimum slot depth: 2,3 mm

## PACKAGING

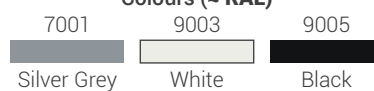
200 / 400 / 600 m x 2



Coil direction



Colours ( $\approx$  RAL)



Other colours upon request

05/2023 - V00

